

Green Pin® Tapered Pin ROV Shackle F  
 Group : P-5361F  
 Part : POGHBB38ROVRLTF  
 WLL : 17t

A

A

B

B

C

C

D

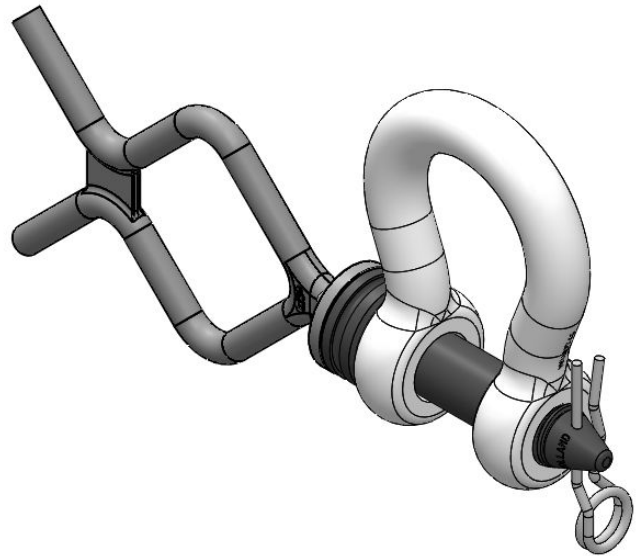
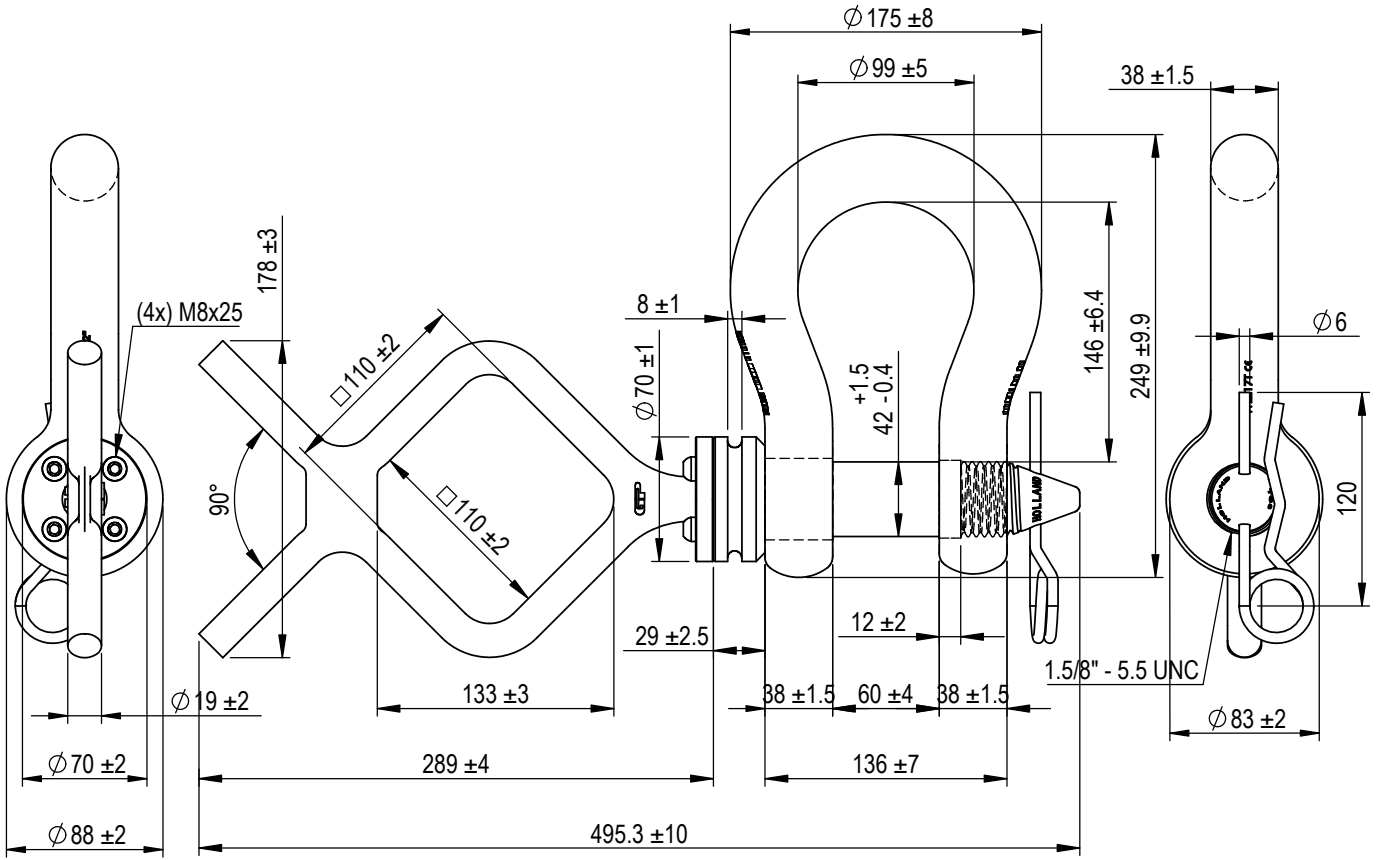
D

E

E

F

F



We reserve the right to make amendments on specifications  
 in this drawing without prior notification.

Rev.	Description	Date	Drawn
0	First Issue	2021/11/1	DL



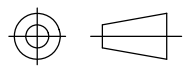
**Green Pin®**

P.O. Box 57, 3360 AB Sliedrecht (The Netherlands)

Industrieweg 6, 3361 HJ Sliedrecht

Tel. +31(0)184-413300 www.greenpin.com

Format A4  
 Scale 1:4.25



Title **Green Pin® Tapered Pin ROV Shackle F**  
 Release & retrieve ROV shackle (grade 8) with tapered screw pin and Fishtail handle

Remark  
 P-5361F  
 POGHBB38ROVRLTF

Drawing number 6788  
 Rev. 0

1

2

3

4