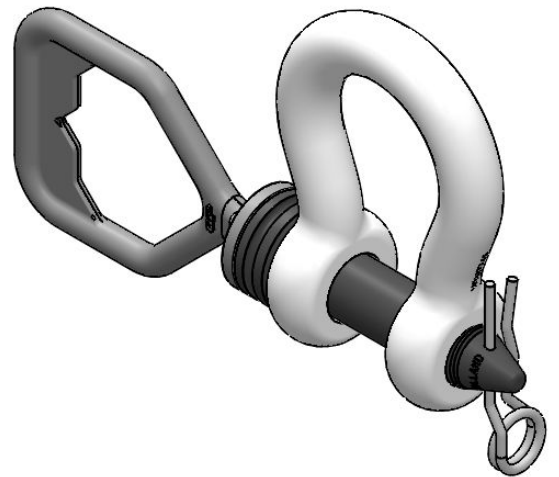
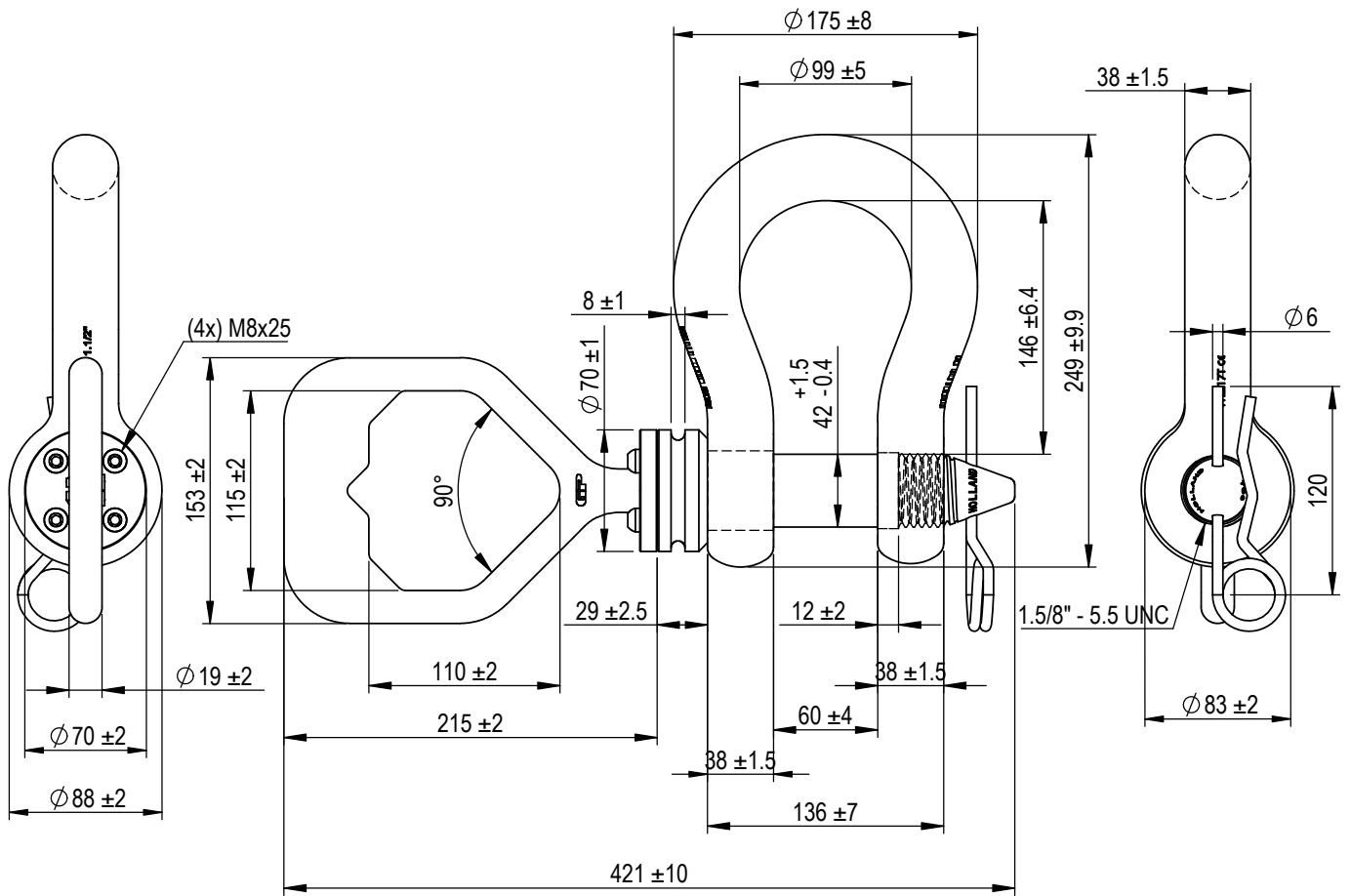


Green Pin® Tapered Pin ROV Shackle D
 Group : P-5361D
 Part : POGHBB38ROVRLTD
 WLL : 17t



We reserve the right to make amendments on specifications in this drawing without prior notification.

Rev.	Description	Date	Drawn
0	First Issue	2021/11/1	DL

Copyright by Van Beest B.V. moreover this document is the property of Van Beest B.V. This document or any part of it may neither be made known, copied or multiplied, nor used for any purpose other than that for which it is specifically furnished, without the prior written consent of Van Beest B.V.



Green Pin®
 P.O. Box 57, 3360 AB Sliedrecht (The Netherlands)
 Industrieweg 6, 3361 HJ Sliedrecht
 Tel. +31(0)184-413300 www.greenpin.com

Format	A4		
Scale	1:4.25		
Drawing number	6778	Rev.	0

Title **Green Pin® Tapered Pin ROV Shackle D**
 Release & retrieve ROV shackle (grade 8) with tapered pin and D-handle

Remark
 P-5361D
 POGHBB38ROVRLTD