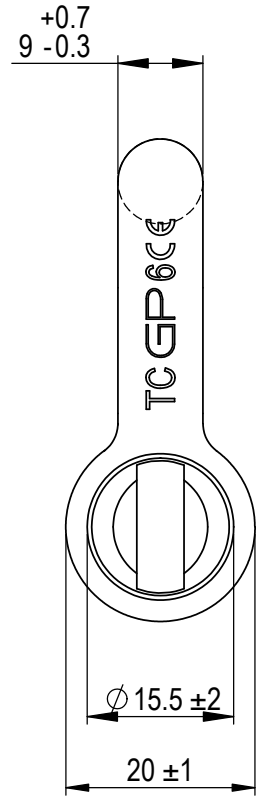
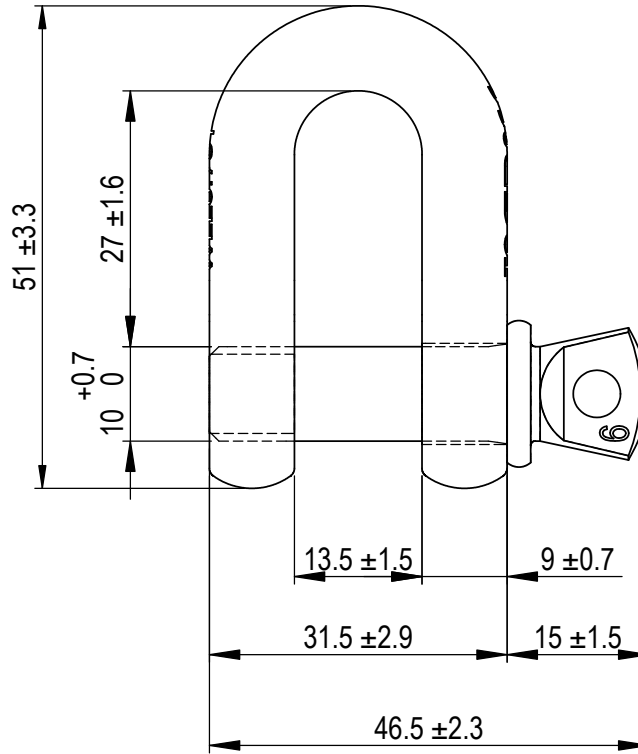
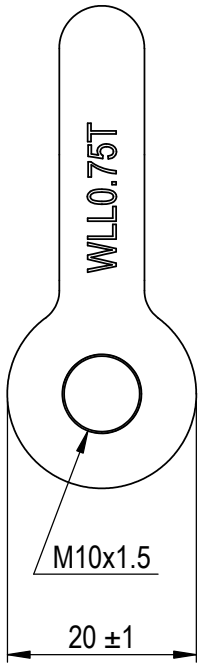


Green Pin® Dee Shackle SC  
 Group : G-4151  
 Part : GPGDBB08  
 WLL : 0.75t



We reserve the right to make amendments on specifications in this drawing without prior notification.

Rev.	Description	Date	Drawn
A	Drawing updated	2022-1-1	DL
0	First Issue	31-07-09	H.T.

Copyright by Van Beest B.V. moreover this document is the property of Van Beest B.V. This document or any part of it may neither be made known, copied or multiplied, nor used for any purpose other than that for which it is specifically furnished, without the prior written consent of Van Beest B.V.

**Green Pin®**  
 P.O. Box 57, 3360 AB Sliedrecht (The Netherlands)  
 Industrieweg 6, 3361 HJ Sliedrecht  
 Tel. +31(0)184-413300 www.greenpin.com

Title **Green Pin® Dee Shackle SC**  
 Standard dee shackle with screw collar pin

Remark  
 G-4151  
 GPGDBB08

Format	A4	
Scale	1.25:1	
Drawing number	5077	Rev. A